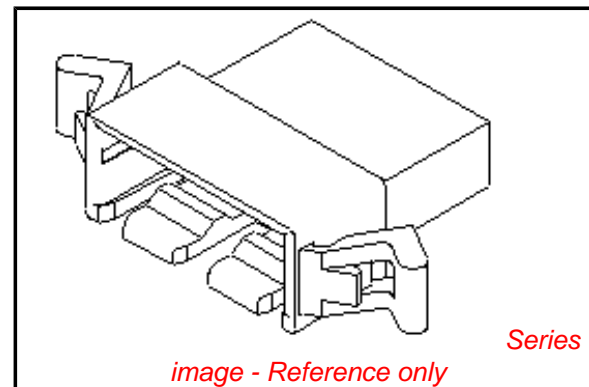


PLEASE CHECK WWW.MOLEX.COM FOR LATEST PART INFORMATION

Part Number: [0029110102](#)
Status: **Active**
Overview: [spox](#)
Description: 2.50mm (.098") Pitch SPOX™ Wire-to-Wire Plug Housing, Friction Lock, Optional Mounting Ears, 10 Circuits

Documents:

3D Model	Product Specification PS-51191-003 (PDF)
Drawing (PDF)	RoHS Certificate of Compliance (PDF)
Product Specification PS-5102-003 (PDF)	



Agency Certification

CSA	LR19980
TUV	R72090224
UL	E29179

General

Product Family	Crimp Housings
Series	5240
Overview	spox
Product Name	SPOX™

Physical

Circuits (maximum)	10
Flammability	94V-0
Gender	Male
Glow-Wire Compliant	No
Lock to Mating Part	Yes
Number of Rows	1
Packaging Type	Bag
Panel Mount	No, Yes
Pitch - Mating Interface (in)	0.098 In
Pitch - Mating Interface (mm)	2.50 mm
Stackable	No
Temperature Range - Operating	-40°C to +105°C

Material Info

Old Part Number	5240-10
-----------------	---------

Reference - Drawing Numbers

Packaging Specification	SPK-5240-001
Product Specification	PS-5102-003, PS-51191-003
Sales Drawing	SD-5240-001

EU RoHS

ELV and RoHS Compliant
REACH SVHC
 Not Reviewed
Halogen-Free Status
 Not Reviewed

China RoHS



Need more information on product environmental compliance?

Email productcompliance@molex.com
 For a multiple part number RoHS Certificate of Compliance, [click here](#)

Please visit the [Contact Us](#) section for any non-product compliance questions.

Search Parts in this Series

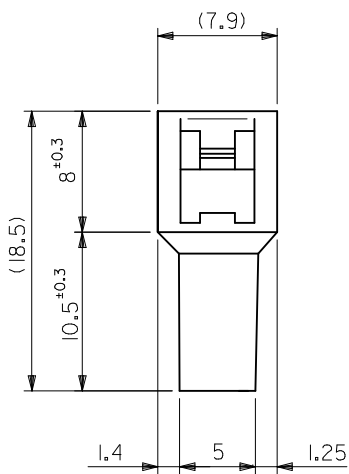
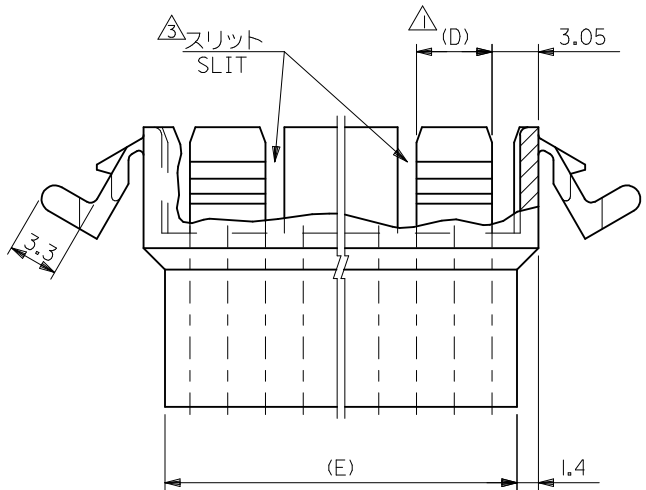
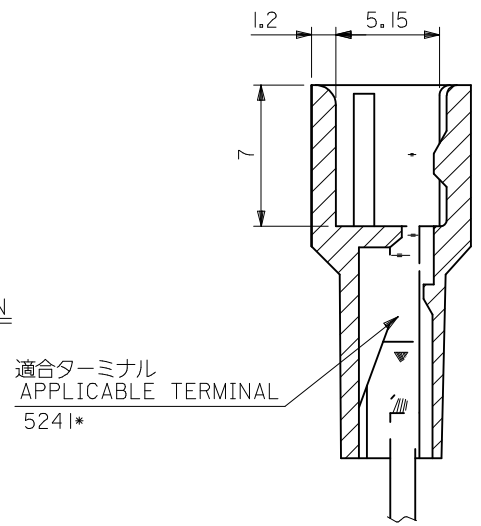
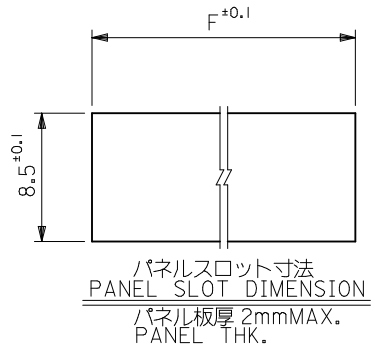
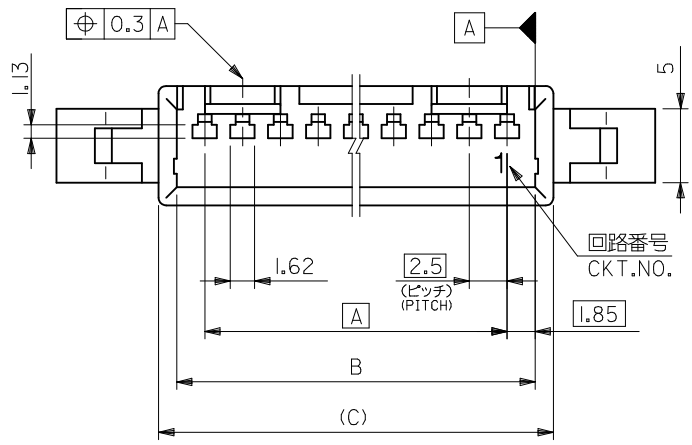
[5240Series](#)

Mates With

[51191 Housing](#)

Use With

[5241](#)



44.9	38.3	5	41.1	38.7	35	29-11-0152	5240-15	15
37.4	30.8	5	33.6	31.2	27.5	-0122	-12	12
34.9	28.3	5	31.1	28.7	25	-0112	-11	11
32.4	25.8	5	28.6	26.2	22.5	-0102	-10	10
29.9	23.3	5	26.1	23.7	20	-0092	-09	9
27.4	20.8	5	23.6	21.2	17.5	-0082	-08	8
24.9	18.3	5	21.1	18.7	15	-0072	-07	7
22.4	15.8	5	18.6	16.2	12.5	-0062	-06	6
19.9	13.3	3.75	16.1	13.7	10	-0052	-05	5
17.4	10.8	7.5	13.6	11.2	7.5	-0042	-04	4
14.9	8.3	5	11.1	8.7	5	-0032	-03	3
12.4	5.8	2.5	8.6	6.2	2.5	29-11-0022	5240-02	2
F	(E)	(D)	(C)	B	A	EDP. NO.	MATERIAL NO.	極数 NO. OF CKT.

注記 NOTE

- ① 4極までは1箇所、5極以上は2箇所。
FRICTION LOCK CONFIGURATION:
4CKT. AND UNDER — 1 LOCK
5CKT. AND OVER — 2 LOCKS
- 2. 嵌合相手: 5102-N
MATE WITH HOUSING: 5102-N
- ③ 4極以下はなし、5及び6極は1箇所、7極以上は2箇所。
SLIT CONFIGURATION:
4CKT AND UNDER — NO SLIT
5 AND 6CKTS — 1 SLIT
7CKT AND OVER — 2 SLIT

材料
MATERIAL
NYLON66,UL94V-0

REVISED EC NO: J2009-0885 DRWN:NAKAMURA 2008/12/15 CHKD:T. HARUYAMA 2008/12/15 APPR:NUKITA 2009/01/14	DESCRIPTION	GENERAL TOLERANCES (UNLESS SPECIFIED)		DIMENSION STYLE	SCALE	DESIGN UNITS	MODEL NO.	5240-N	
				MM ONLY	---	METRIC	THIRD ANGLE PROJECTION		
		10 UNDER	±0.2	DRAWN BY	DATE	TITLE	MINI SPOX. PLUG HSG.		
		10 OVER 30 UNDER	±0.25	Y. KANNO	'98/7/23				
	30 OVER	±0.30	CHECKED BY	DATE					
			K. T.	'98/7/24					
			APPROVED BY	DATE					
			M. FUKUSHIMA	'98/7/24					
	ANGULAR	±3 °	MATERIAL NO.	SEE TABLE		MOLEX INCORPORATED			
	DRAFT WHERE APPLICABLE MUST REMAIN WITHIN DIMENSIONS				DOCUMENT NO.		SD-5240-001		
			SIZE	THIS DRAWING CONTAINS INFORMATION THAT IS PROPRIETARY TO MOLEX INCORPORATED AND SHOULD NOT BE USED WITHOUT WRITTEN PERMISSION					
			A3						